



WOLF®



Hydraulic Rock Drill Attachment

The **SONIC 3500** rock drill is an excellent choice in rock drilling equipment. installed in Excavators, can be used in Quarries, Opencast Mining, Builders, Service Providers Drilling, among others.



It has higher productivity than a pneumatic drill and similar to a hydraulic trailer. Diesel consumption has a great reduction in relation to a pneumatic set (Trailer + Compressor). The operator can operate the drill from outside the cabin through Radio Control, not exposing himself to risky situations. In a matter of minutes, with a single equipment, two functions are achieved: **DRILLING and EXCAVATION**.



WOLF CARE + - You Work, We Care!

- Preventive follow-up program according to factory service intervals to maximize performance and minimize unexpected downtime. Regular visits – The maintenance of your equipment is always up to date.
- WOLF Care+ preventive visits reduce the risk of unexpected breakdowns, increasing the availability of your equipment. Our technicians are highly qualified to carry out the necessary checks, always bringing the best performance from your WOLF Drill.
- P.M.P. - Preventive Maintenance Program: Scheduled Maintenance carefully following the PMP,

developed by our team of technicians and engineers*. Don't despair and don't waste time and production with emergency stops.

*Except wearing parts and lubricants.

- Extended Warranty: Worry about winning more projects, let WOLF take care of your drill for you. We offer an extended warranty covering machine components except Diesel Engine

ADVANTAGES

- Operational simplicity
- Low investment
- Mobility
- High productivity
- Multiple drilling positions
- Low maintenance
- Reduction of diesel consumption





TECHNICAL DATA

Fully hydraulic and requires a single operator

Drilling diameters between 2.1/2" to 4" (64 to 102mm) – Surface Hammer

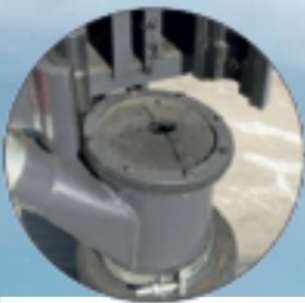
Digital panel inside the cabin with interactive display for monitoring and Depth Gauge (as an optional item)

Rod Changer, Rod Greaser, Hydraulic Centralizer and Hose Stretcher

Cleaning System with Water Injection or Dust Collector (as an optional item)

A 250cfm @100 psi air compressor (diesel powered model) is required along with the excavator for proper operation





**HYDRAULIC
CENTRALIZER**



HOSE TENSIONER



DRIFTER W19



ROD GREASE



**DUST COLLECTOR
OPTIONAL**



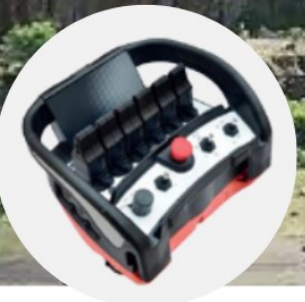
**GREASE PUMP
OPTIONAL**



WATER TANK



ROD CHANGER



RADIO CONTROL



**DIGITAL
INCLINOMETER**



AVAILABLE ITEMS

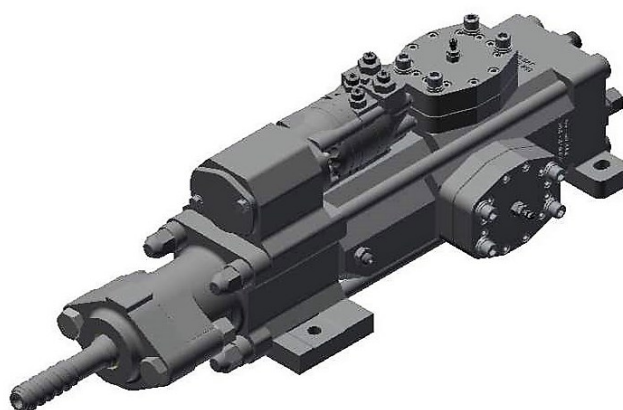
Hydraulic Centralizer	STANDARD	Dust Collector	OPTIONAL
Rod Changer	STANDARD	Depth Gauge	OPTIONAL
Hose tensioner	STANDARD	Review / Installation of 4 Hydraulic function	OPTIONAL
Rod Greaser and Grease Pump	STANDARD	Nitrogen Charger	OPTIONAL
Digital Angle Indicator - Anti-Jamming	STANDARD	Rear Compressor Support	OPTIONAL
Water tank	STANDARD	Boom Installed Emergency Button	OPTIONAL
Radio control	STANDARD	Installation of Hydraulic Compressor	OPTIONAL

CE MARK

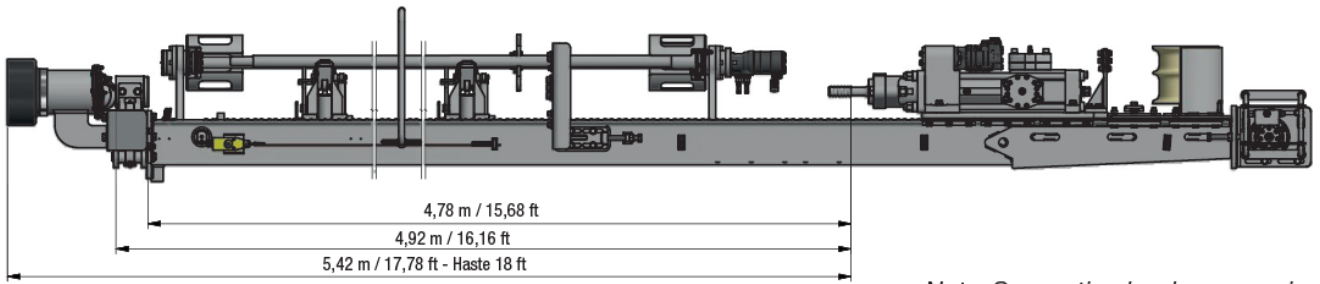
Optional to supply Equipment for the European Community.



HYDRAULIC DRIFTER

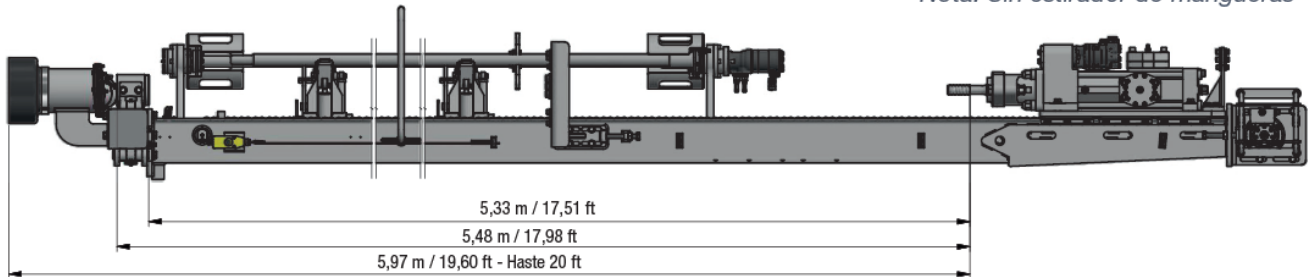


Model	W 19
Work pressure	120-140 bar (2.030 PSI)
Impact Power	19 kw (26hp)
Impact Frequency	2.600 BPM
Weight	237 kg (526 lbs)
Rotation Torque	750 Nm (533 lbf/ft)
Thread type	T38 / T45
Drilling diameter	2.1/2" - 4"
Magazine / Number of Rods	Carrossel 6 + 1
Length of Rods	3,0m (10") 3,66m (12")



Nota: Sem esticador de mangueiras

Nota: Sin estirador de mangueiras



Length	Width	Height	Weight
7.800mm	3.000mm	2.000mm	3.500kg



Headquarter - Factory (Indaiatuba/SP – Brasil)

+ 55 (19) 3825-6530

+ 55 (19) 3875-5460

info@wolf.com.br

www.wolf.com.br

Branches

WOLF – Minas Gerais (Contagem/MG)

+ 55 (31) 3361-0648

wolfmg@wolf.com.br

WOLF – Nordeste (Salvador/BA)

+ 55 (71) 3379-6959

bahia@wolf.com.br

WOLF – Paraná (Colombo/PR)

+ 55 (41) 3656-3572

parana@wolf.com.br

WOLF – Rio Grande do Sul (Porto Alegre/RS)

+ 55 (51) 3059-9023

rs@wolf.com.br

WOLF Américas

Estados Unidos (U.S)

+ 1 (407) 704-2051

info@wolfdrill.com

www.wolfdrill.com